

RU1Hs ZONING

NOTE:
 BUILDER/OWNER
 RESPONSIBLE
 TO ENSURE BACKFILL
 LEVELS MEET ALL CODES.

NOTE:
 INFORMATION TO BE USED AS A
 GUIDELEINE ONLY, AND IS SUBJECT TO
 CHANGE.
 DRAWING IS NOT INTENDED FOR DESIGN
 PURPOSES. FINISHED GRADES MUST BE
 FIELD VERIFIED.

ALL DISTANCES SHOWN ARE IN METRES AND
 DECIMALS THEREOF.
 ALL DIMENSIONS, ELEVATIONS
 AND SERVICES SHOWN MUST BE CONFIRMED
 BY CONTRACTOR PRIOR TO EXCAVATION.
 BUILDER/OWNER IS LIABLE FOR ANY COSTS
 INCURRED DUE TO AN ERROR IN THE SITE
 PLAN IF CONSTRUCTION STARTS PRIOR TO THIS
 PLAN BEING APPROVED BY THE LOCAL
 APPROVING AUTHORITY.

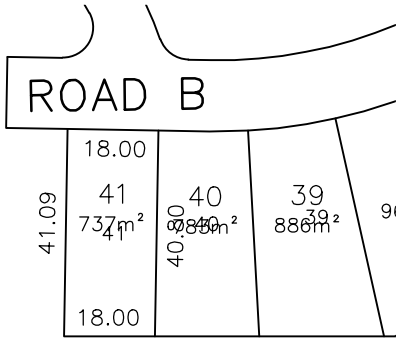
LEGEND

- PAD ELEVATION 658.2
- BLDG. ENVELOPE AREA 1197.1m²
- FINISH GRADE 665.41
- BLOWOFF ← BO
- SAN MANHOLE ● S
- STORM MANHOLE ● D
- CLEANOUT ● CO
- CATCH BASIN ■ CB
- DRYWELL ● DW
- POWER POLE ● PP
- LAMP STANDARD ■ LS
- INSPECTION CHAMBER • IC
- CURB STOP • CS
- FIRE HYDRANT ● HYD
- WATER VALVE ⚡
- DRIVEWAY ■
- TRANSFORMER □
- SERVICE BOXES ■
- SERVICE VAULTS ■
- BUILDERS SWALE →

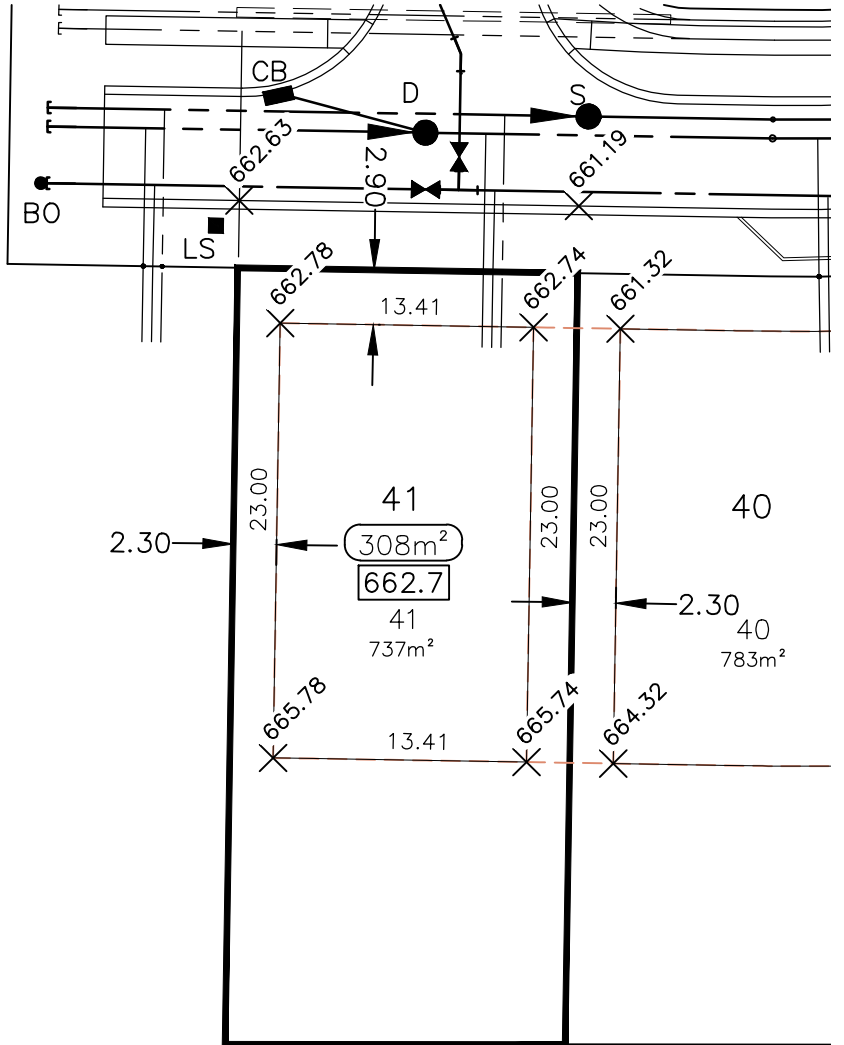
UTILITIES

- WATER ————
- SAN. SEWER - - - -
- STORM SEWER ————
- GAS - - - - -
- TELUS/FORTIS/SHAW ————
- GRADING BREAKS - - - - -
- LEGAL SETBACK - - - - -

DATE OF REVISION:



LOT DIMENSIONS
 1:1500



PLAN VIEW
 1:400

LOT	41	BLOCK	PLAN 71697	SCALE: AS SHOWN	DATE: 2017-02-14
-----	----	-------	------------	-----------------	------------------

KIRSCHNER MOUNTAIN
 PHASE 4



LOT AREA: 737 m²